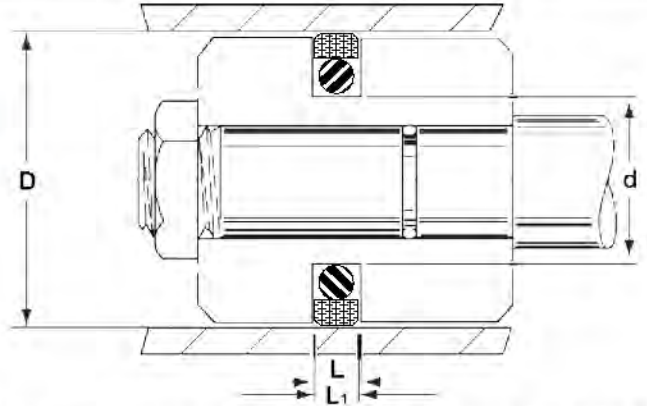


AS7 Series 2pc. BTFE Piston Seals - Inch



ALTERNATIVE SEALS:
URETHANE Version Suffix "P"
ASQ

Parts w/o Suffix are glass filled PTFE



Our AS7 series piston seals are machined from bronze filled PTFE for the most severe applications. Standard expander rings on this series piston seal are round cross section high memory 70 durometer nitrile; however, FKM expanders are available. Consult sales for pricing and delivery of special compounds.

Temperature: -40° to 225°F

Pressure: 0 to 5,000 PSI

EXAMPLE: AS742E-120B

Prefix	Groove Height	Bore Diameter	Suffix
AS7	*42E-	120	B
	318"	7-1/2"	BTFE

AFTER DASH IN INCREMENTS OF 1/16 (16=1")

*_ _ E- Number Refers to Groove Height

(32 = .125", 36 = .165", 40 = .248", 42 = .318")

Please see Piston Seal Measurement Guide on Page 32.

Part Number	Bore Dia. H9 D	Groove Dia. h9 d	Groove Height +.004 / -.000 L
AS732E-16B	1.000	0.705	.125
AS732E-20B	1.250	0.955	.125
AS732E-24B	1.500	1.205	.125
AS736E-24B	1.500	1.076	.165
AS736E-28B	1.750	1.326	.165
AS732E-32B	2.000	1.705	.125
AS736E-32B	2.000	1.576	.165
AS732E-36B	2.250	1.955	.125
AS736E-36	2.250	1.826	.165
AS736E-36B	2.250	1.826	.165
AS732E-40B	2.500	2.205	.125
AS736E-40B	2.500	2.076	.165
AS736E-44B	2.750	2.326	.165
AS732E-48B	3.000	2.705	.125
AS736E-48B	3.000	2.576	.165
AS740E-48B	3.000	2.384	.248
AS732E-52	3.250	2.955	.125
AS732E-52B	3.250	2.955	.125
AS736E-52B	3.250	2.826	.165
AS740E-52B	3.250	2.634	.248
AS732E-56B	3.500	3.205	.125
AS736E-56B	3.500	3.076	.165
AS740E-56B	3.500	2.884	.248
AS740E-58B	3.625	3.009	.248
AS740E-60B	3.750	3.134	.248
AS736E-64B	4.000	3.576	.165
AS740E-64B	4.000	3.384	.248
AS740E-68B	4.250	3.634	.248
AS740E-72B	4.500	3.884	.248
AS740E-76B	4.750	4.134	.248
AS736E-80B	5.000	4.576	.165

Part Number	Bore Dia. H9 D	Groove Dia. h9 d	Groove Height +.004 / -.000 L
AS740E-80B	5.000	4.384	.248
AS740E-84B	5.250	4.634	.248
AS742E-86B	5.375	4.545	.318
AS740E-88B	5.500	4.884	.248
AS742E-88B	5.500	4.670	.318
AS740E-92B	5.750	5.134	.248
AS740E-96B	6.000	5.384	.248
AS742E-96B	6.000	5.170	.318
AS742E-100B	6.250	5.420	.318
AS742E-104	6.500	5.670	.318
AS742E-104B	6.500	5.670	.318
AS740E-112B	7.000	6.384	.248
AS742E-112B	7.000	6.170	.318
AS742E-120B	7.500	6.670	.318
AS740E-124	7.750	7.134	.248
AS740E-124B	7.750	7.134	.248
AS740E-128B	8.000	7.384	.248
AS742E-128B	8.000	7.170	.318
AS742E-136B	8.500	7.670	.318
AS742E-144B	9.000	8.170	.318
AS742E-152B	9.500	8.670	.318
AS742E-160B	10.000	9.170	.318
AS742E-168B	10.500	9.670	.318
AS742E-176B	11.000	10.170	.318
AS742E-192B	12.000	11.170	.318
AS742E-192HB	12.000	11.035	.318
AS742E-224B	14.000	13.170	.318
AS742E-224HB	14.000	13.035	.318
AS742E-256B	16.000	15.170	.318
AS742E-288HB	18.000	17.035	.318